

NetWaySP8WPX

8-port Outdoor Hardened PoE Switch with Integral Power



Altronix NetWaySP8WPX PoE+ Outdoor Hardened Switch provides two (2) 1Gb SFP (Fiber) ports and eight (8) PoE+ (30W) or two (2) Hi-PoE (60W) ports, passing data for PoE/PoE+/Hi-PoE compliant devices. Cameras/edge devices may be located up to 100m from the unit. Embedded LINQ Technology allows you to monitor, control, and report power and diagnostics from anywhere.



NetWaySP8WPX

Key Features

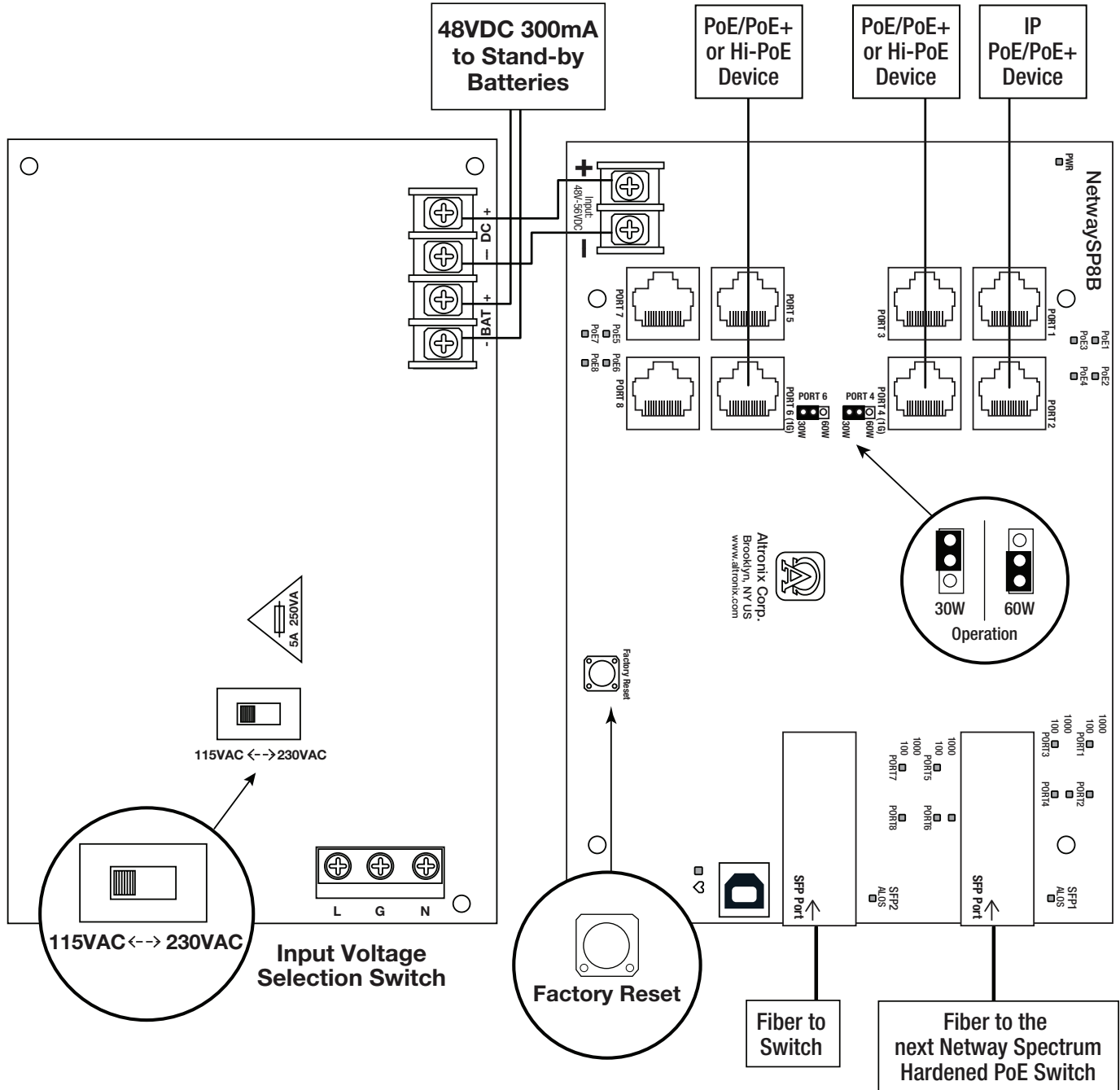
- Two (2) Gigabit SFP ports
- 115W total power:
 - Eight (8) PoE/PoE+ (up to 30W) ports or two (2) Hi-PoE (60W) ports
- Two (2) 10/100/1000 Mbps ports
- Six (6) 10/100 Mbps ports
- IEEE 802.3at (30W), IEEE 802.3af (15W) compliant, or Hi-PoE (60W)
- PoE activity LED indicators
- Automatic switch over to stand-by battery when AC fails
- VLAN (Virtual Local Area Networks) subnetwork allows for the grouping together of devices for improved network traffic and higher security
- UL Listed in the U.S. and Canada
- CE European Conformity
- Lifetime Warranty

Similar products

NetWaySP8WP	Outdoor 8-port PoE+ Hardened Switch in NEMA 4/4X, IP66-11 enclosure
NetWaySP8WPN	Outdoor 8-port PoE+ Hardened Switch only in NEMA 4/4X, IP66-11 enclosure
NetWaySP8X	Indoor 8-port PoE+ Hardened Switch in NEMA 1 Rated indoor enclosure
NetWaySP8PL	8-port PoE+ Hardened Switch with Integral Power on a Backplane
NetWaySP8B	8-port PoE+ Hardened Switch (board only)

Lifetime Warranty

Typical Application



Lifetime Warranty

NetWaySP8WPX

8-port Outdoor Hardened PoE Switch with Integral Power



Specifications

Input

Voltage 115VAC, 60Hz, 2.5A or 230VAC, 50/60Hz, 1.3A
Fusing 5A/250V

Power Output

Maximum Power Eight (8) PoE+ (30W) ports or two (2) Hi-PoE (60W) ports
IEEE 802.3at (30W) and IEEE 802.3af (15W) compliant
115W total power. Integral surge protection

Fiber Ports:

Two (2) Gigabit SFP ports

Ethernet Ports:

Six (6) 10/100 Mbps and two (2) 10/100/1000 Mbps ports
Connectivity: RJ45, auto-crossover
Wire type: 4-pair CAT5 or better structured cable
Distance: up to 100m
Speed: 10/100/1000 Mbps, half/full duplex, auto negotiation

Back-up Battery (not included)

Type Sealed lead acid or gel type
Failover Upon AC loss, instantaneous

Indicators (LED)

Individual PoE On LEDs for each port
Individual IP Link status, 10/100Base-T/active LEDs for each port
ALOS LED indicates fiber connection for SFP port
Heartbeat LED indicates proper operation of the unit

VLAN:

Multiple management VLAN assignment
802.1Q Tagged VLAN. Up to 10 VLAN groups. ID Range 2-4095.

LINQ Technology:

Remote network management allows for camera/device reset and monitoring
Provides local and/or remote access to critical information via LAN/WAN
Email and Windows Dashboard Alert notifications report real-time diagnostics
Event log tracks history

Agency Listings

UL/cUL UL60950-1 (Information Technology Equipment)
UL60950-22 (Information Technology Equipment to be installed Outdoors)
CE European Conformity

Physical and Environmental

Enclosure Dimensions (H x W x D approx.):
17.53" x 15.3" x 6.67" (445.3mm x 388.6mm x 169.4mm)
NEMA 4/4X, IP66-11 Rated enclosure for outdoor use
Accommodates four (4) 12VDC/4AH batteries (48V of backup)

Product Weight / Shipping (approx.)

Product Weight: 15 lb. (6.8 kg)
Shipping Weight: 17.5 lb. (7.9 kg)

Temperature

Operating: 60W: -40°C to 75°C (-40°F to 167°F)
75W: -40°C to 70°C (-40°F to 158°F)
100W: -40°C to 55°C (-40°F to 131°F)
115W: -40°C to 45°C (-40°F to 113°F)

Storage: -40°C to 85°C (-40°F to 185°F)

Relative Humidity: 85% +/-5%

BTU/Hr. (approx.): 61 BTU/Hr.

Operating Altitude: -304.8 to 2,000m

Accessories (order separately)



PMK2 - Pole Mount Kit

PMK1 pole mount kit is designed to simplify installation of outdoor units. It accommodates 2" - 8" (diameter) poles.



SFP Modules - Hot pluggable Transceivers

P1MM Multi-Mode SFP Module for distances up to 550m.
P1SM10 Single-Mode SFP Module for distances up to 10km.
P1AB2K Single Strand SFP Module for distances up to 2km.
P1GCE Copper SFP Module for distances up to 100m.



NetWaySP1A

NetWaySP1A - Ethernet over Fiber Media Converter/Repeater for applications requiring an additional SFP (Fiber) Port

NetWaySP1A PoE powered media converter/repeater converts 10/100/1000 Mbps to Fiber (1000Base-X/SX/LX).

Lifetime Warranty